
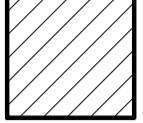

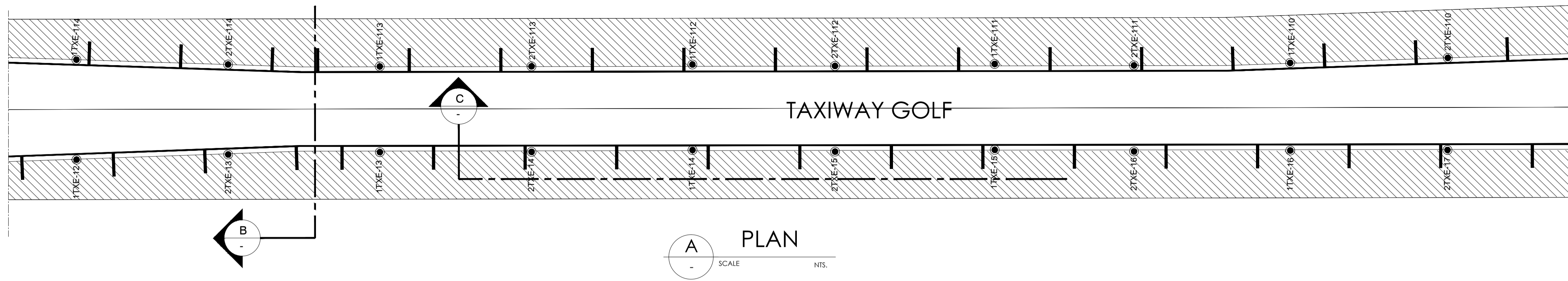
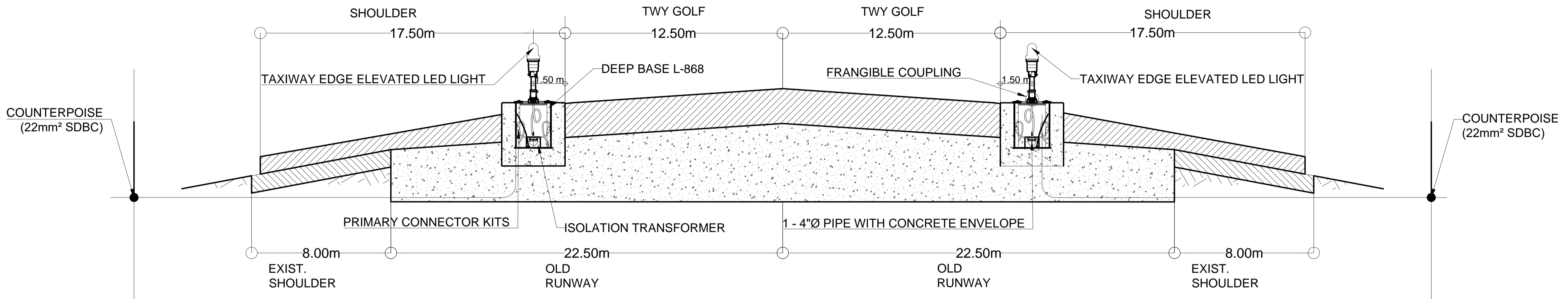


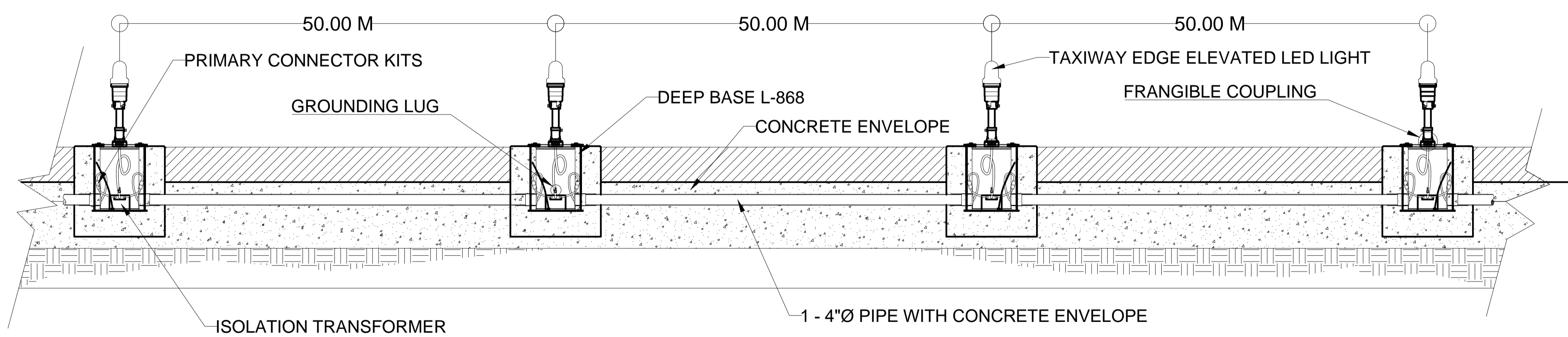
- LEGENDS:**
-  - EXISTING SUBGRADE
  -  - AC PAVEMENT
  -  - PCC PAVEMENT



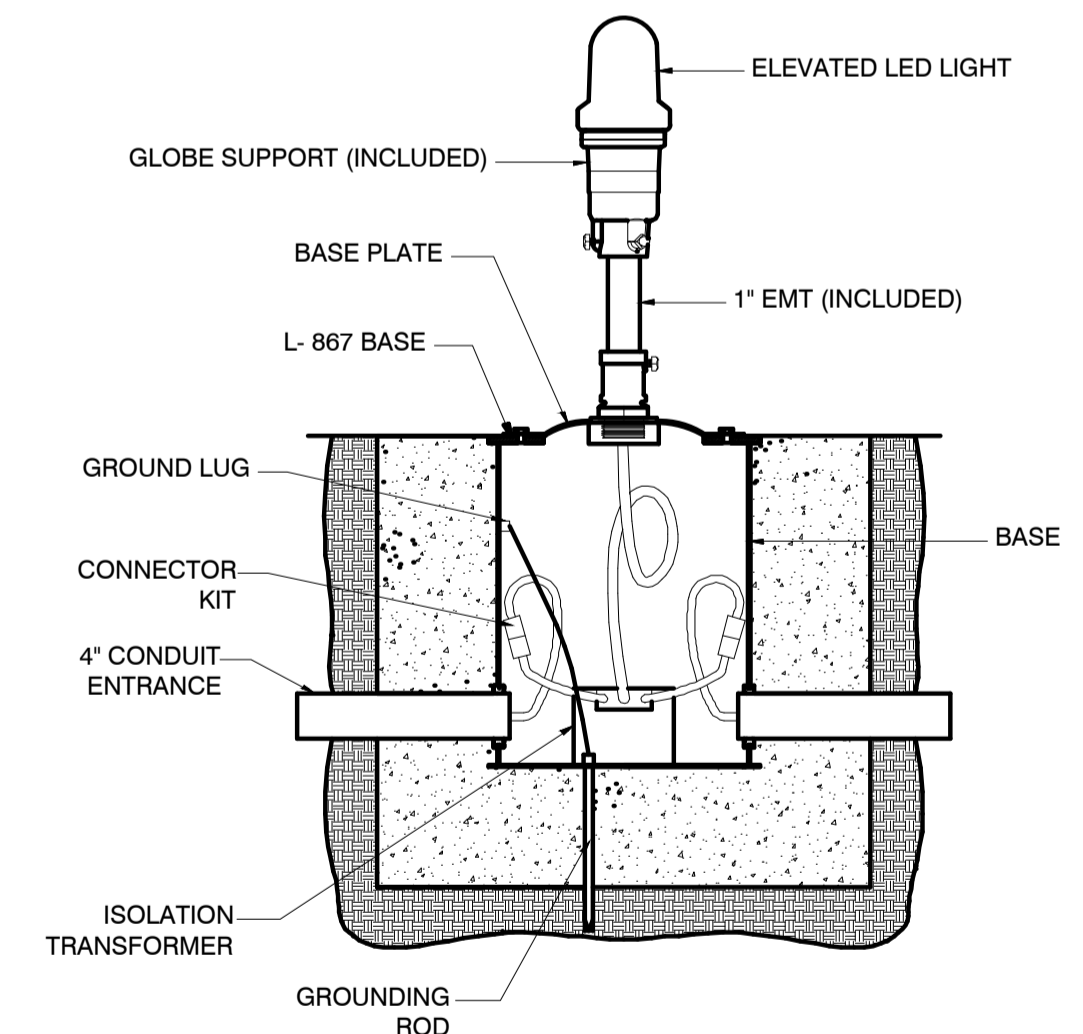
**A** PLAN  
SCALE NTS.



**B** SECTION THRU-B  
SCALE NTS.





**C** SECTION THRU-C  
SCALE NTS.



**D** BLOW-UP OF ELEVATED TAXIWAY EDGE LIGHTING  
SCALE NTS.

**TYPICAL DETAILS OF ELEVATED TAXIWAY EDGE LIGHT**

- NOTE:**
1. IF THIS DRAWING HAS BEEN RECEIVED ELECTRONICALLY, IT IS THE RECIPIENTS RESPONSIBILITY TO PRINT THE DOCUMENT TO THE CORRECT SCALE.
  2. THIS DRAWING SHOULD BE READ IN CONJUNCTION WITH OTHER RELEVANT DRAWINGS AND SPECIFICATIONS.
  3. ALL DIMENSION IN METER UNLESS OTHERWISE SHOWN.

CONSULTANTS:  Urban Integrated Consultants, Inc. <small>UICI Corporate Bldg., 8 Lands Street, WASKA, Diliman, Quezon City, 1128</small>	DRAWN BY: C.M.L.	SUBMITTED BY:	 <b>CLARK INTERNATIONAL AIRPORT CORPORATION</b>	RECOMMENDING APPROVAL:	APPROVED BY:	PROJECT TITLE:	PROJECT TITLE:	DRAWING STATUS:	FINAL	SET NO.	SHEET NO.
	CHECKED BY: J.Q.G.	EFREN L. DAVID <small>PRESIDENT - UICI</small>		JAIME ALBERTO C. MELO <small>VICE PRESIDENT AIRPORT OPERATION MANAGEMENT GROUP</small>	ALEXANDER S. CAUGUIRAN <small>PRESIDENT / CHIEF EXECUTIVE OFFICER</small>	CONSTRUCTION OF THE HORIZONTAL INFRASTRUCTURE PROJECT OF THE CLARK INTERNATIONAL AIRPORT NEW TERMINAL BUILDING PROJECT (FORMERLY CLARK AIRPORT LOW COST TERMINAL)		REVISION $\Delta$ :	JULY 09, 2018	TA-10	86 116
DWGS. CHK. BY: A.T.C.				SHEET CONTENTS:	DETAILS OF ELEVATED TAXIWAY EDGE LIGHT		REVISION $\Delta$ :	JULY 16, 2018	DATE: JULY, 2018		